

Description

The R56 is a 2-way linear line source consisting of 6 x 5" high quality LF drivers and two 5" Ribbon Compact Drivers. The use of the Stage Accompany Compact driver ensures the unsurpassed clarity and speech intelligibility even at a high SPL. The SA8510 Compact drivers are mounted in such way that results in a horizontal coverage of 120 degrees and a vertical coverage of 30 degrees.

Placement

RAL colors allow it to blend into any architecture. The RL24 low and RS12 sub provide a stable podium base for the R56 colinear line source. The R56 can be stacked as a standalone system or secured onto one of the RL24 or RS12 extensions. Wall or pole-mounting and flying are also possible.

Maintenance

Maintenance on the R56, especially on the drivers and filters is best left to official Stage Accompany service personnel. However, cleaning of the cabinet can easily be done by yourself with a damp lint-free cloth.

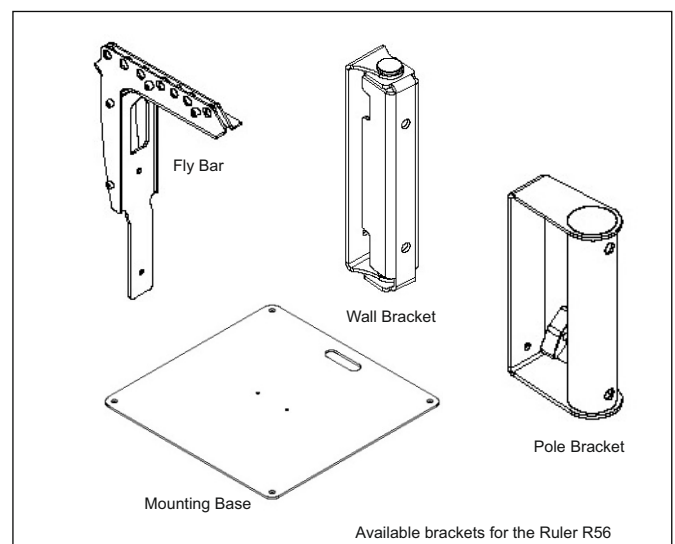
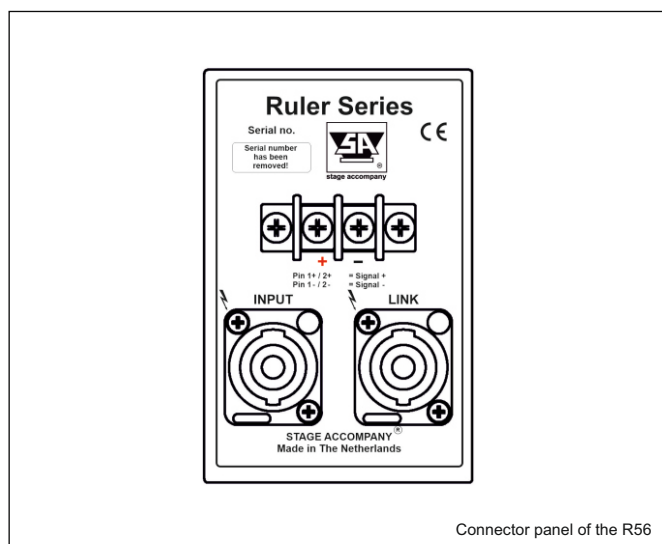
Connection

The R56 has two 4-pole Speakon connectors, and one screw-terminal connector for connecting separate wires. (Caution: When linking, make sure nominal impedance stays within amplifier specification!).

When using the screw-terminal, be aware of the right polarity (see connector panel)

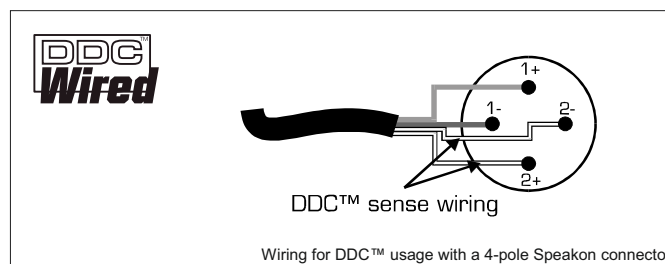
Options

The R56 is standard finished in Black Protecture, but is also available in any possible RAL color (Multi Color Option™). Available brackets are: Pole-bracket, Wall-bracket, Fly bar and mounting base.



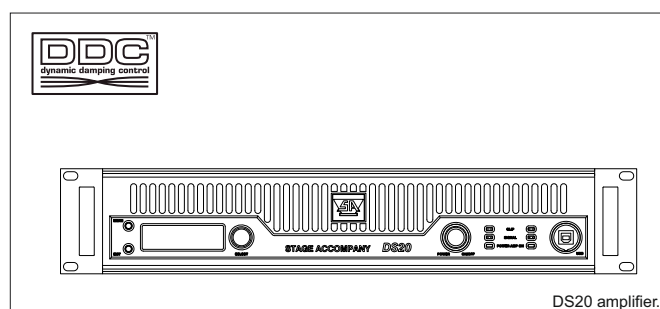
Dynamic Damping Control (DDC™)

For absolute top quality sound reproduction, the R56 is pre wired for Dynamic Damping control. The DDC system is based on 2 wires (incorporated in the 4 pole Speakon connector and speaker cable) that return from the speakers to the (SA) amplifier. Through these "sense wires" the amplifier measures the signal on the speakers themselves and can compensate the speaker, cable and connector resistance, and thus ensures maximum control over the speaker cone movement.



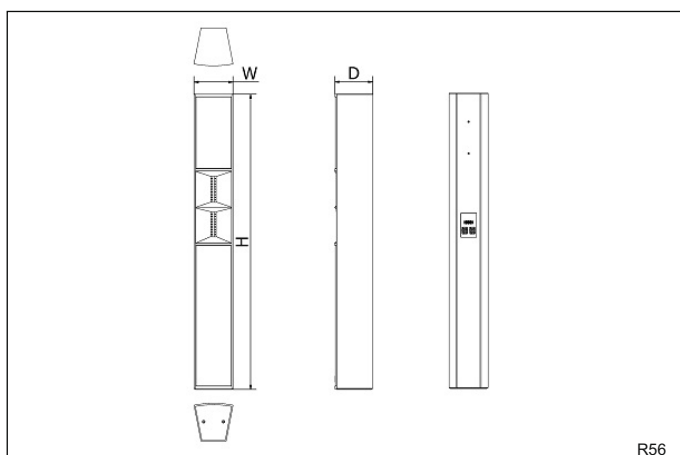
Recommendation

To use the R56 we recommend the DS Series power amplifier. This amplifier is standard equipped with DDC™, resulting in a virtually infinite amplifier damping factor at the speaker terminals. To use the DDC™ system with an DS Series amplifier, use SA 4-pole LW Speakon cable. By using a DS series amplifier, dedicated DSP presets can be selected for optimum use of the R56. This in combination with or without the RL24 or RS12 cabinet.



Technical specifications

Frequency response	: 85 Hz - 30 kHz (+/- 3dB)
Drivers	: 6 x SA0538N neodym LF driver; 2 x SA8510 neodym ribbon compact driver
Cross-over frequency	: 3500 Hz
Nominal impedance	: 6 Ohm
Sensitivity @ 1W/1m	: 96 dB
Max. RMS power	: 600 W
Max. Peak power	: 1200 W
SPL program/peak	: 124 dB/127 dB
Dispersion (2 kHz H x V)	: 120° x 30°
Color	: SA Black, other colors on request
Front	: Expanded metal grille + acoustic transparent cloth
Connectors	: 2 x 4-pole Speakon (DDC wired), 1 x screw terminal
Physical dimensions (h x w x d)	: 1350 x 180 x 175 mm (53.0 x 7.0 x 6.89 in.)
Weight	: 17,0 kg (37.0 lb)



Stage Accompany
Haven 28
2984 BR Ridderkerk
The Netherlands
Phone: +31 (0)180 426225
Email: info@stageaccompany.com
WWW.StageAccompany.com

© Copyright 2021 Stage Accompany

The information in this document is continually being developed. Whilst every effort has been made to make it as accurate as possible, no warranty of accuracy is made or implied by the makers. Stage Accompany shall have neither liability, nor responsibility to any person or entity with respect to loss or damages in connection with or arising from the information contained in this document.

That's How Music Should Sound!